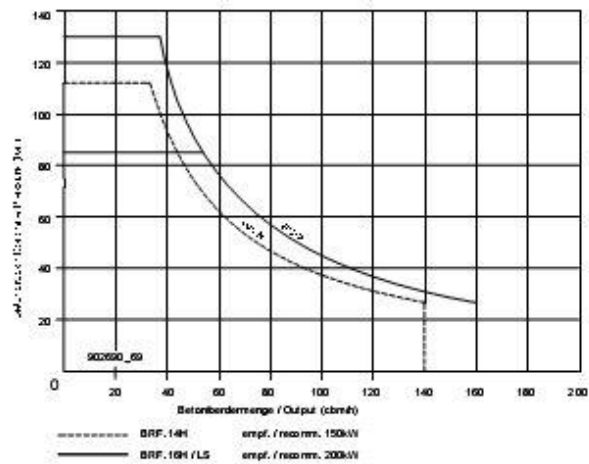
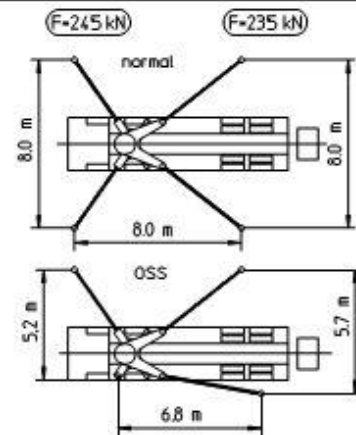
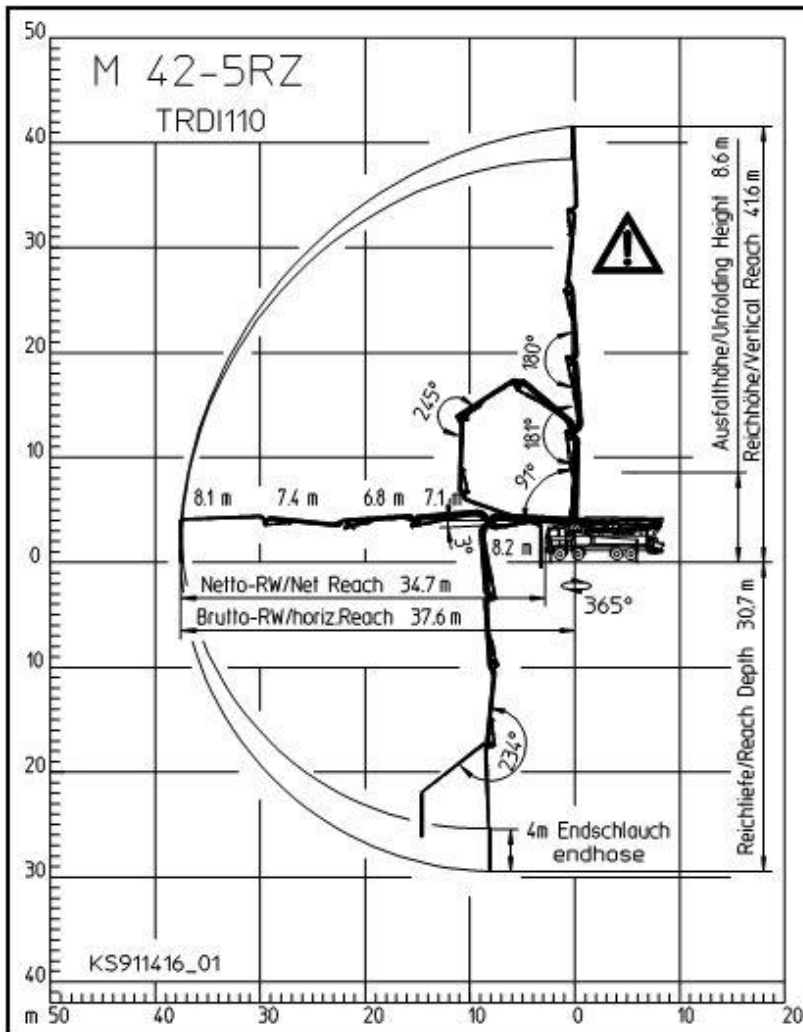


Technical Data

Boom M 42-5		
Reach height	m	41.6
Horizontal reach	gross	m 37.6
	net	m 34.7
Reach depth max.	m	30.7
Unfolding height	m	8.6
End hose length	m	4
Number of arms	5	
Folding system	Roll-Z-folding (RZ)	
Delivery line	DN 125/5.5	

Pump		BRF	.14 H	.16 H	.16 H LS
Rod side	Output	m ³ /h	140	160	-
	Delivery pressure	bar	70	85	-
	Strokes	1/min.	27	31	-
Piston side	Output	m ³ /h	88	108	160
	Delivery pressure	bar	112	130	85
	Strokes	1/min.	17	21	26
	Delivery cylinder	∅ mm	230	230	250
	Stroke	mm	2100	2100	2100

Delivery line boom max. 85 bar.
All data maximum theoretical.



All data maximum theoretical



Range in which you must not work with the end hose.